



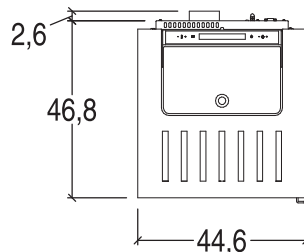
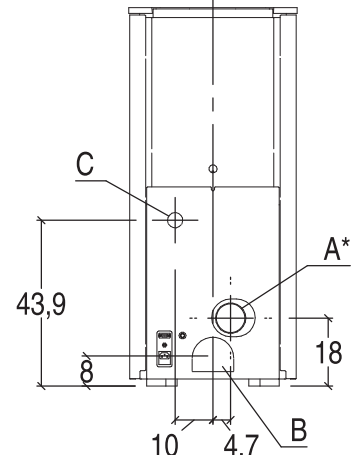
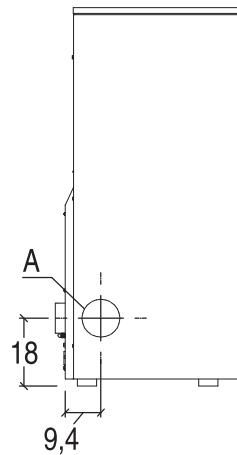
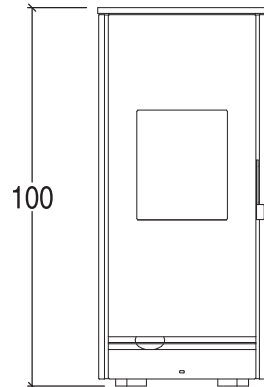
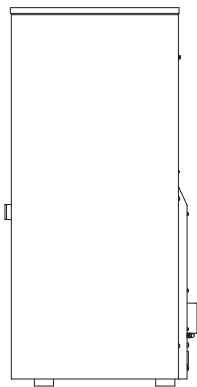
Available colours

* Selected colours are available on request only; Please confirm stock availability.



Output range Kw	3.9-8
Eco Design 2022 / Nom. Kw	8
Heating Capacity m³	250
Nominal Efficiency %	89.2
Type	Freestanding
Fuel Type	Pellet
Max load / Nom. Cons. Kg/h	0.6-1.9
Brand	Piazzetta
Category	Smart Plus
Flue ø	80 (<1000m) 100 (>1000m)
Flue exit	Left, Rear
WxDxH mm	440 x 445 x 1000
Weight Kg	95
Hopper capacity Kg	16
Finish	Cast-Iron, Steel
Ash tray	Yes
Glass cleaning air flow	Yes
Convection type	Forced, Natural
Multifire System	Yes
Dual power system	-
Ductable	Up to 8m
Power settings	4
Remote control	Optional
Energy saving mode	-
Humidifier	Optional
Warranty	5 Yr. Structural 2 Yr. Elec. & Mech. 10 Yr. Parts Availability

* All warranties are subject to CRMS registration.



A	B	C
8 cm	7,5 cm	6 cm

A Smoke outlet
B Ducting outlet

C Combustive air duct
* standard position

*Unit of measure and model dimensions may vary. E&OE.