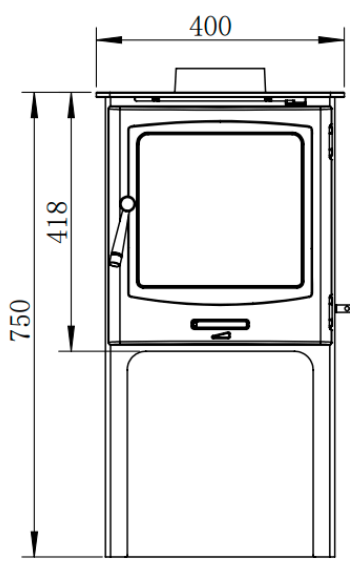
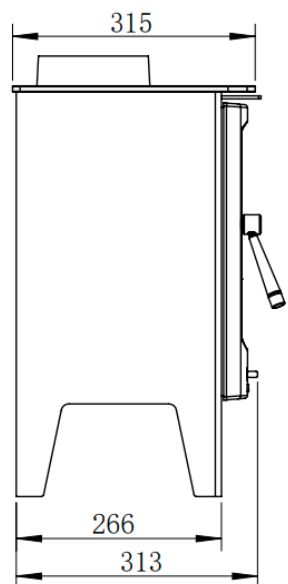
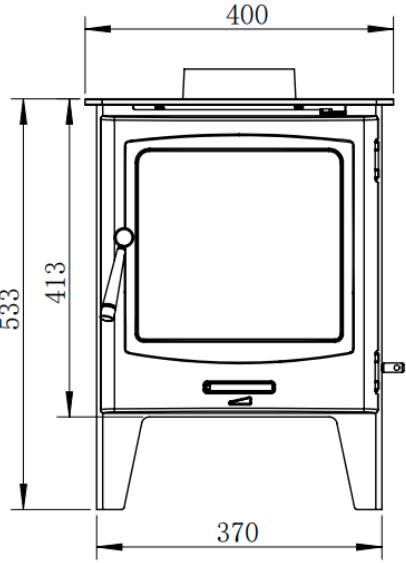


# LS05

The LS05 is a superb option for efficiently heating small spaces. Crafted from premium cast iron, it not only offers durability but also excels in heat retention, ensuring lasting warmth. Its advanced combustion technology not only burns fuel cleanly but also minimizes emissions, contributing to environmental sustainability. The orderly and stylish design values allows it to seamlessly blend with any interior, adding to its aesthetic appeal. Overall, the LS05 prioritizes both efficiency and user satisfaction, making it a standout choice for heating smaller spaces.

**Rear Outlet Available**

**Logholder Option**



	5-7KW
	40-120m <sup>3</sup>
	57kg
	400mm
	533mm
	313mm
	125mm
	Logholder - 68kg
	logholder - 750mm

The LS05 is a well-designed stove with a sophisticated air intake system to optimize combustion. Its preheated air intake, along with the second and third intakes through the ashpan and back of the unit, ensures efficient burning of fuel for maximum heat output. The heating of secondary air at the top of the unit, which then flows over the viewing glass as an air-wash system, keeps the glass clean for an unobstructed view of the fire. With an efficiency rating of 75% and low CO<sub>2</sub> emissions of 0.11%, it meets high environmental standards while providing cost-effective heating. Additionally, the inclusion of a rear outlet and shaker grate enhances functionality and ease of maintenance. Overall, the LS05 is a reliable and efficient heating solution with thoughtful features for user convenience. Its integrated log storage option further adds to its functionality, providing a convenient space for storing wood and other fuel types.