



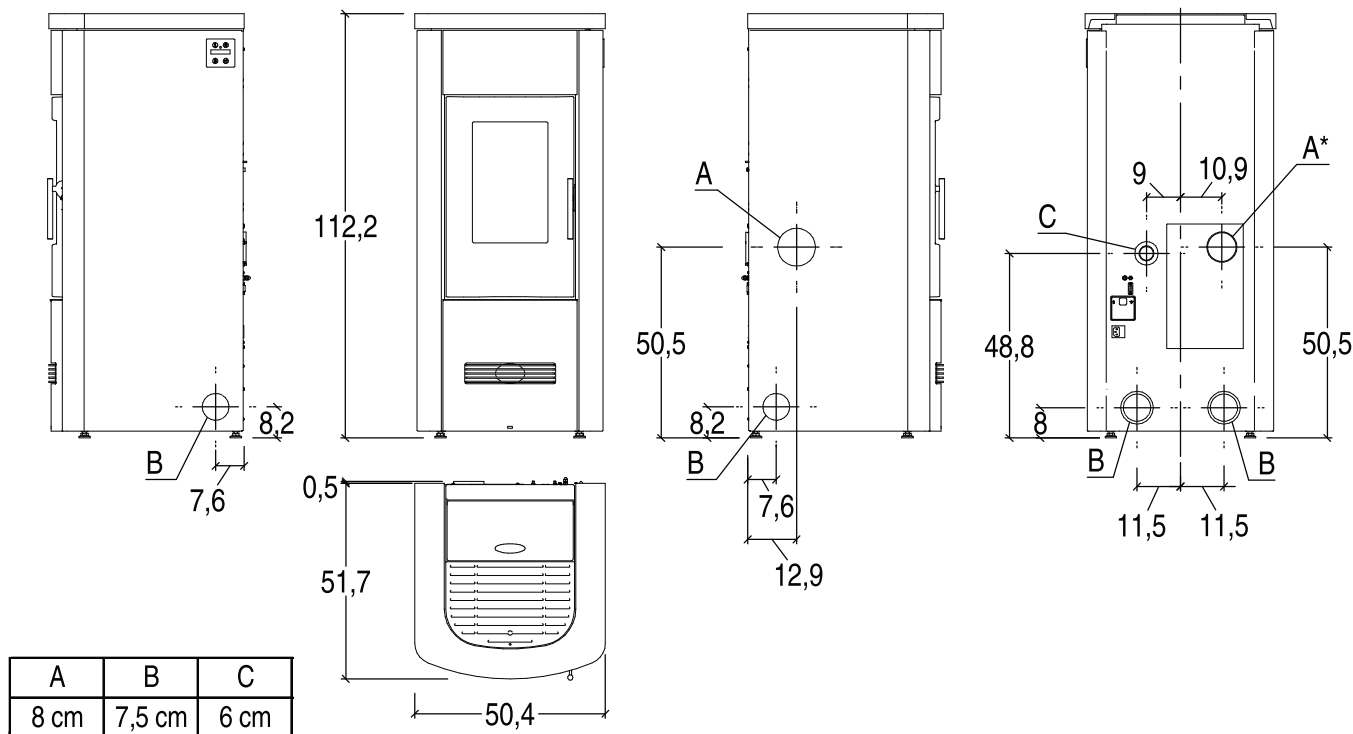
Available colours

* Selected colours are available on request only; Please confirm stock availability.



| | |
|---|--|
| Output range Kw | 3.4-8.5 |
| Heating Capacity m³ | - |
| Nominal Efficiency % | 89.4-90.6 |
| Type | Freestanding |
| Fuel Type | Pellet |
| Max load / Nom. Cons. Kg/h | 0.7-1.9 |
| Brand | Piazzetta |
| Category | Smart Plus |
| Flue ø | 80 (<1000m) 100 (>1000m) |
| Flue exit | Left, Rear |
| WxDxH mm | 504 x 517 x 1122 |
| Weight Kg | 105 |
| Hopper capacity Kg | 18 |
| Finish | Majolica and steel |
| Ash tray | Yes |
| Glass cleaning air flow | Yes |
| Convection type | Forced |
| Multifire System | Yes |
| Dual power system | Yes |
| Ductable | Up to 8m |
| Power settings | 5 |
| Remote control | Optional |
| Model Wifi | Yes |
| Energy saving mode | Yes |
| Humidifier | Optional |
| Warranty | 5 Yr. Structural 2 Yr. Elec. & Mech. 1 Yr. In Contact With Fire 10 Yr. Parts Availability |

* All warranties are subject to CRMS registration.



*Unit of measure and model dimensions may vary. E&OE.