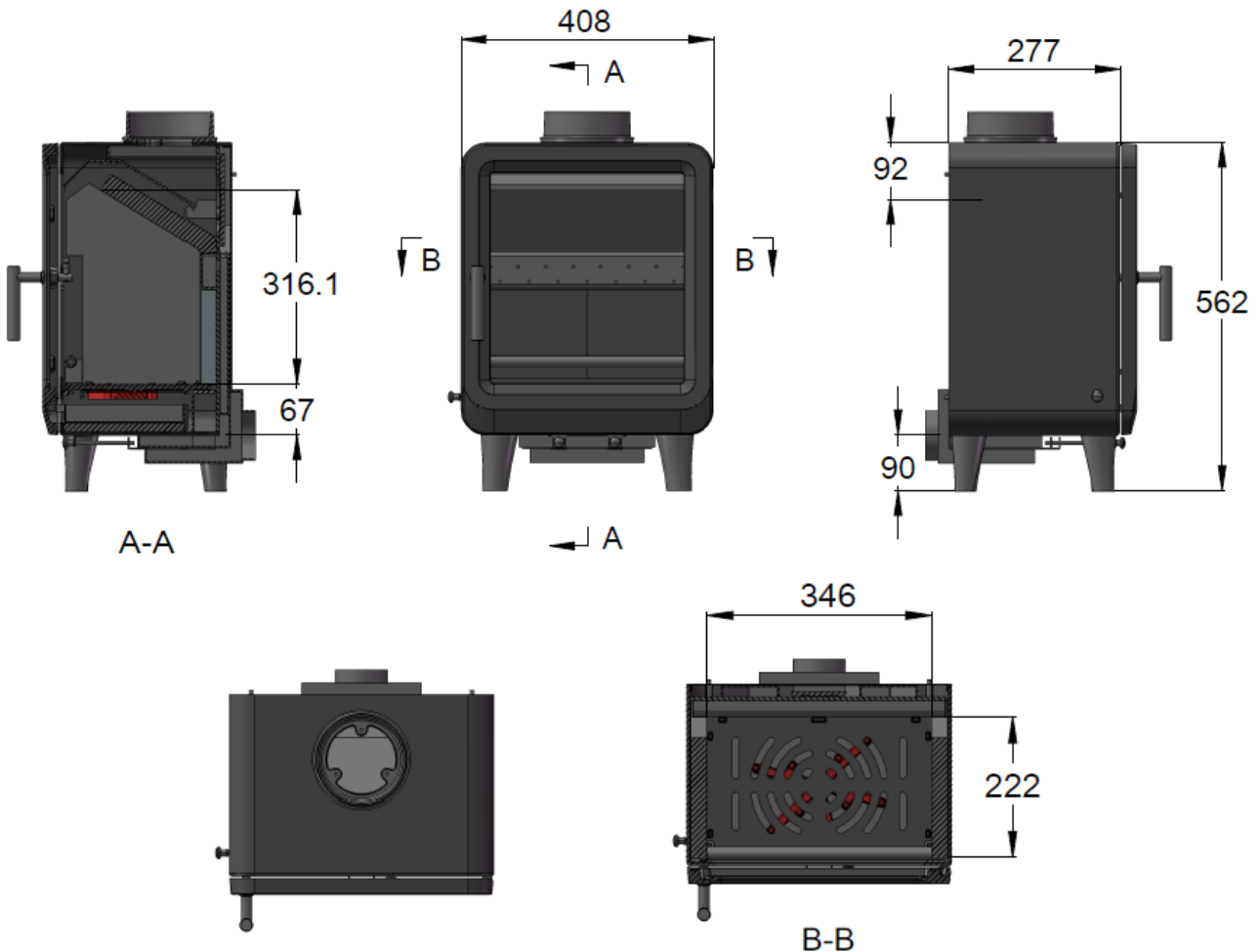




Output range Kw	5 - 8
Heating Capacity m³	200
Nominal Efficiency %	82.5
Type	Freestanding
Fuel Type	Wood
Brand	Calore
Category	Traditional Wood
Convection Type	Natural
Glass Cleaning Airflow	Yes
Ash Tray	Yes
Flue ø	130
Flue exit	Top/Rear
WxDxH mm	W408xD305xH562
Weight Kg	65
Finish	Steel body, Cast Iron
Warranty	3 Years

** All warranties are subject to CRMS registration.*



*Unit of measure and model dimensions may vary. E&OE.